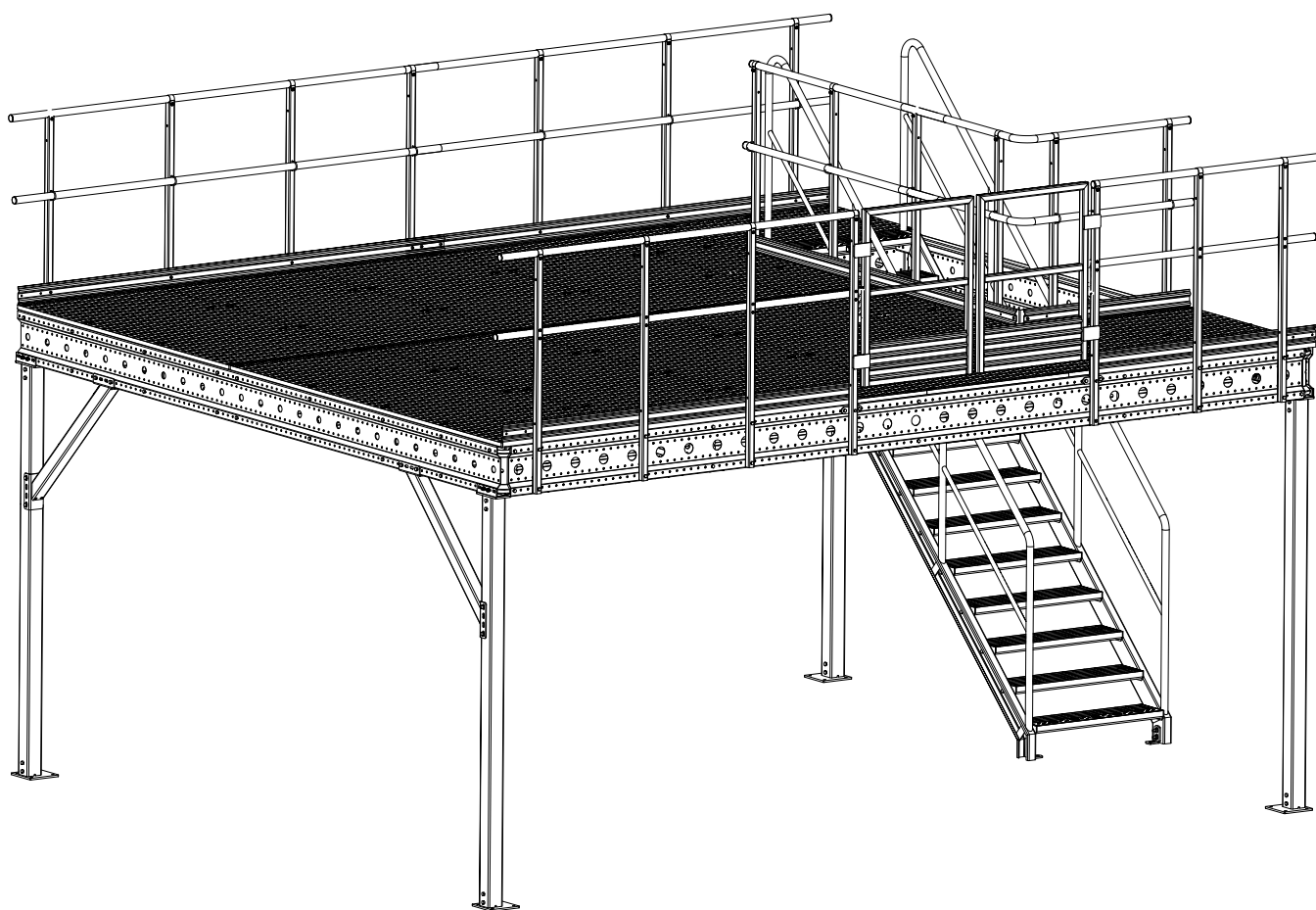
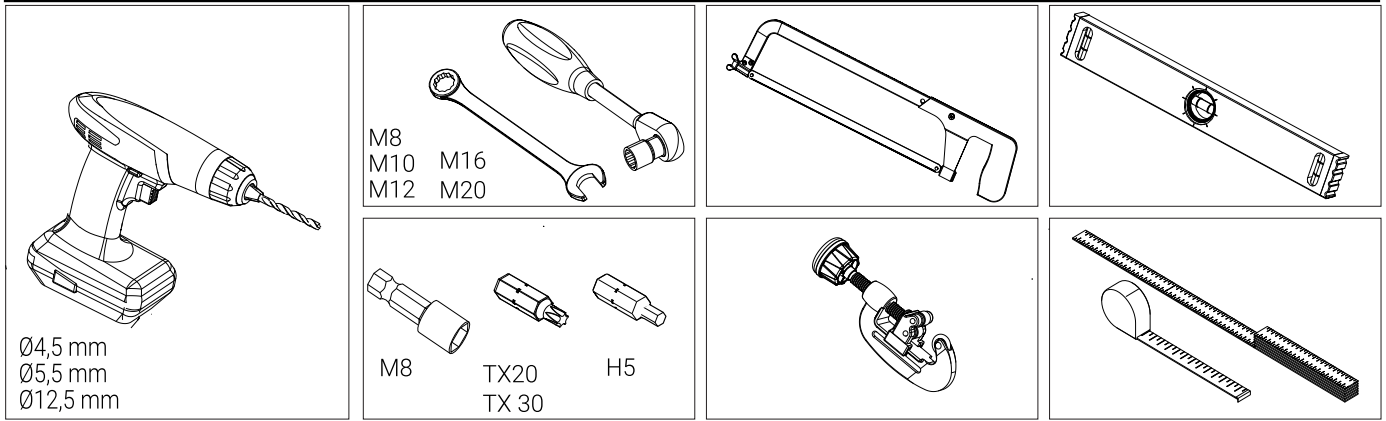


ENTRESOL  
MEZZANINE  
MEZZANIN  
ENTRESOLIN




**WELAND**

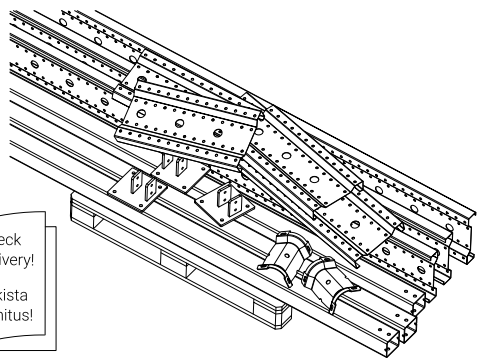
VERKTYG SOM BEHÖVS • TOOLS REQUIRED • ERFORDERLICHE WERKZEUGE • TARVITAVAT TYÖKALUT






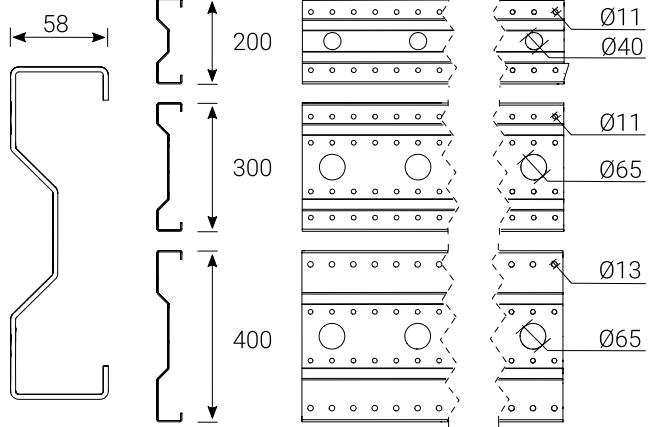
DETALJSPECIFIKATION • SPECIFICATION OF COMPONENTS • EINZELTEIL-SPEZIFIKATION • OSALUETTELO

	<p>1a</p> <p>M6S-H M10x25, fzv 164610251</p>	<p>2a</p> <p>M6S-H M10x35, fzv 164610351</p>	<p>3a</p> <p>M6M M10, fzv 164610001</p>	<p>4a</p> <p>M10, fzv 164101</p>	
	<p>1b</p> <p>M6S-H M12x25, Zn/Ni 164612251</p>	<p>2b</p> <p>M6S M12x40, fzv 164612401</p>	<p>3b</p> <p>M6MF M12, fzv 164612002</p>	<p>4b</p> <p>M12, fzv 164121</p>	
<p>5</p> <p>K6S M8x16, rf A2 164608162</p>	<p>6</p> <p>M6S-H M8x60, fzv 163606001</p>	<p>7</p> <p>M6S-H M8x70, rf A4 163607002</p>	<p>8</p> <p>M6S M10x80, fzv 164608801</p>	<p>9</p> <p>M6S M12x65, fzv 164612651</p>	<p>10</p> <p>M6S M12x130, fzv 164612131</p>
<p>11</p> <p>M6S M20x130, fzv 164620131</p>	<p>12</p> <p>STAPS 5,5x26, rf 16406262</p>	<p>13</p> <p>6,3x50, Zn/Ni 163145001</p>	<p>14</p> <p>6,3x70, Zn/Ni 163637001</p>	<p>15</p> <p>M6x65, Taptite Zn/Ni 0501381</p>	<p>16</p> <p>M6MF M8, rf A2 1646082</p>
<p>17</p> <p>Låsmutter M8, rf A4 1646080012</p>	<p>18</p> <p>M16, fzv 164616001</p>	<p>19</p> <p>M16, L=50, fzv 164616501</p>	<p>20</p> <p>M20, fzv 164620001</p>	<p>21</p> <p>BRB M8, 8,4x16x1,6 fzv 16481</p>	<p>22</p> <p>M16, fzv 164161</p>
<p>23</p> <p>M20, fzv 164201</p>	<p>24</p> <p>33X20, ZM310 163332001</p>	<p>25</p> <p>Ø42, rf 16342015</p>	<p>26</p> <p>Ø42, rf 16342022</p>	<p>27</p> <p>Ø42x1,5 759ÅH42</p>	<p>28</p> <p>30x30x3 759ÅH30</p>
<p>29</p> <p>40x40x3 759ÅH40</p>	<p>30</p> <p>M16x1000, fzv RB1610-00</p>	<p><b>SVENSKA</b> - Bultdetaljer för infästning mot befintlig konstruktion ingår ej.  <b>ENGLISH</b> - Bolts for fastening to wall or floor is not included in delivery.  <b>DEUTSCH</b> - Verankerungsmaterial (Dübel) zur Befestigung der Behindertenrampe am Gebäude/Fundament sind nicht im Lieferumfang enthalten.  <b>SUOMI</b> - Kiinnityspultit runkorakenteisiin eivät sisälly toimitukseen.</p>			

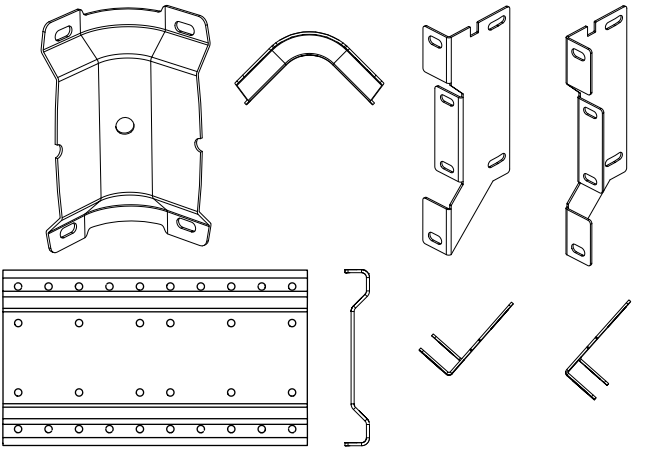
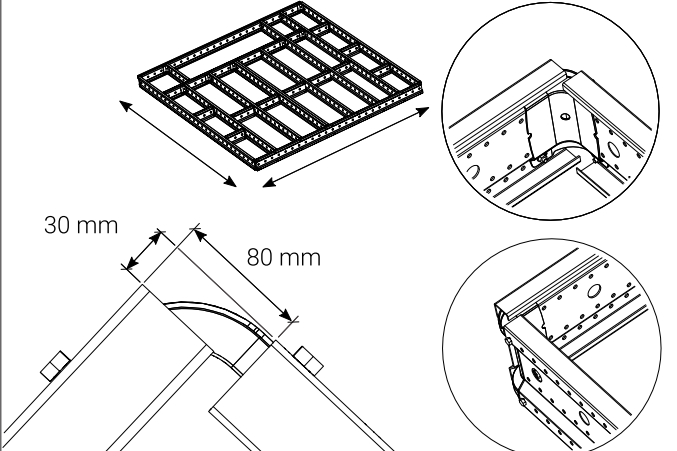
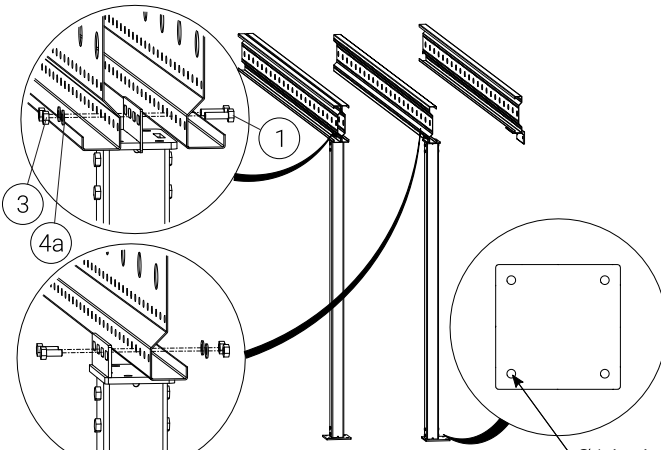

  
 Kontrollera leverans!  
 Check delivery!  
 Lieferung prüfen!  
 Tarkista toimitus!



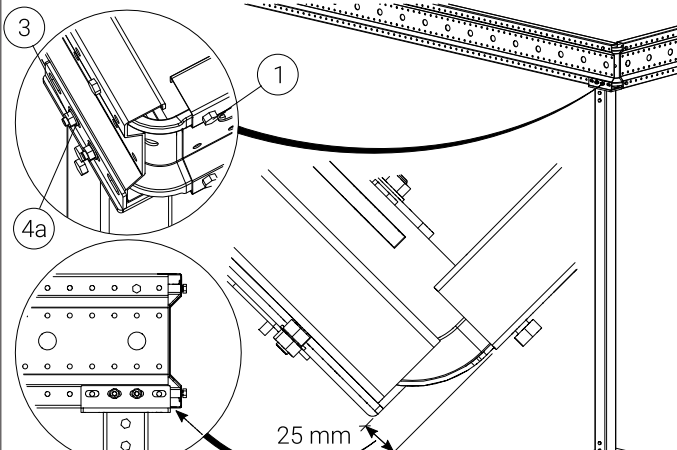



**WELAND**



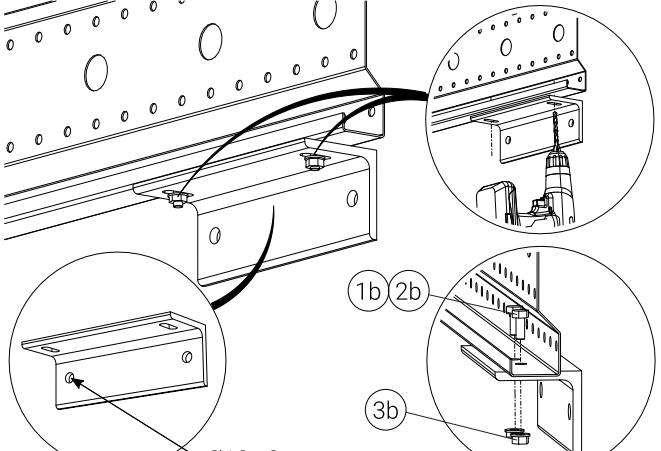
300,350,400,450....-8000 mm

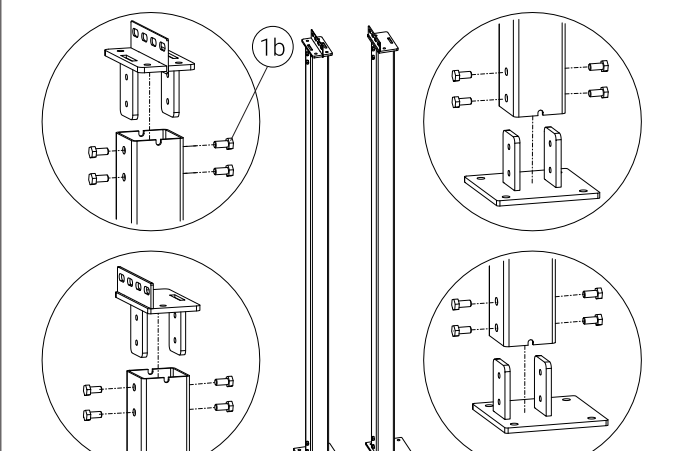
Ø14 x 4

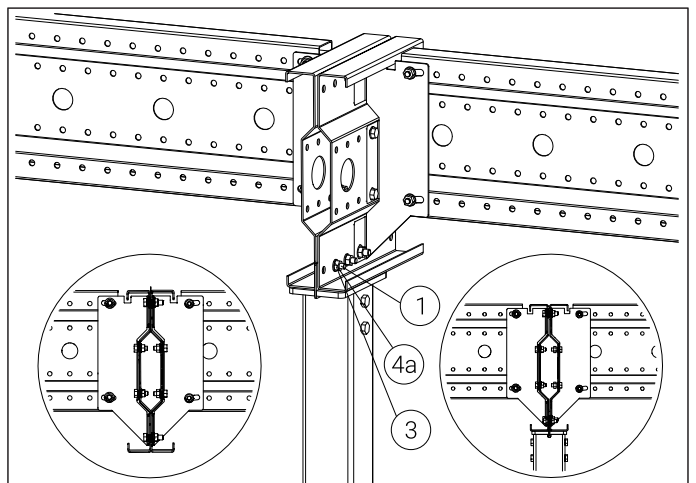
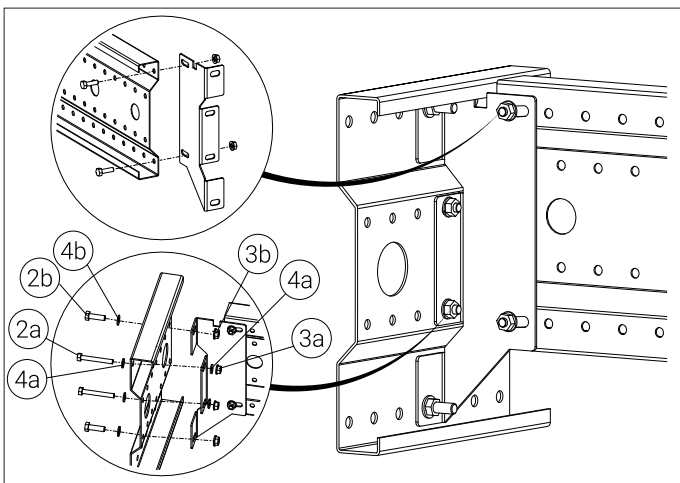
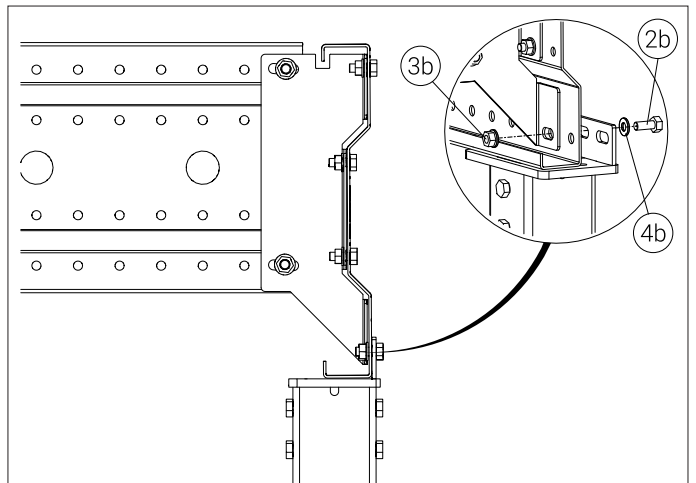
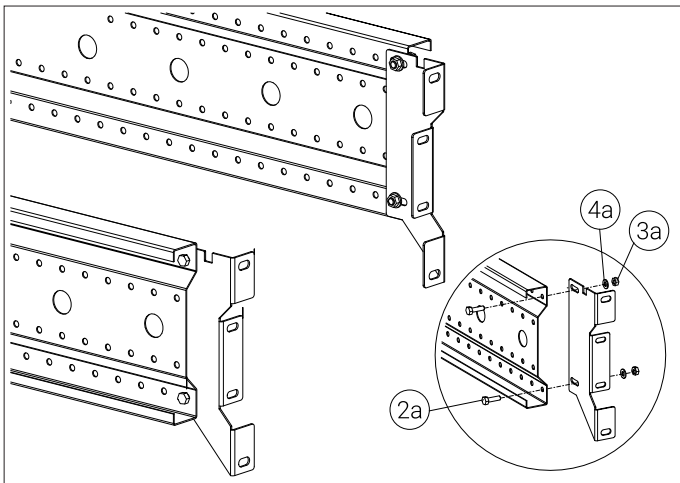
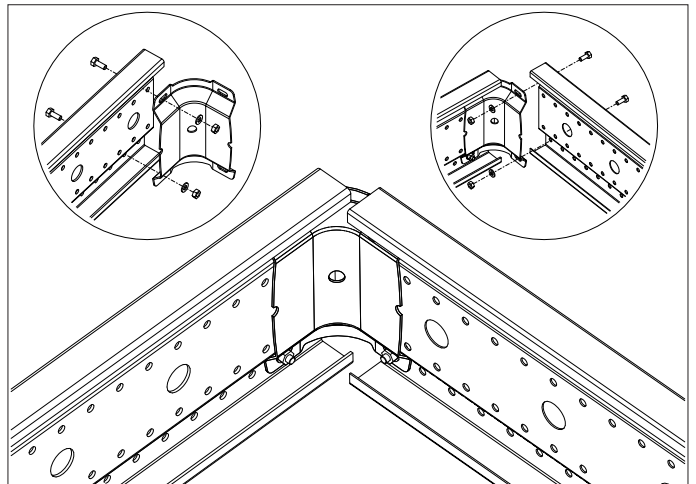
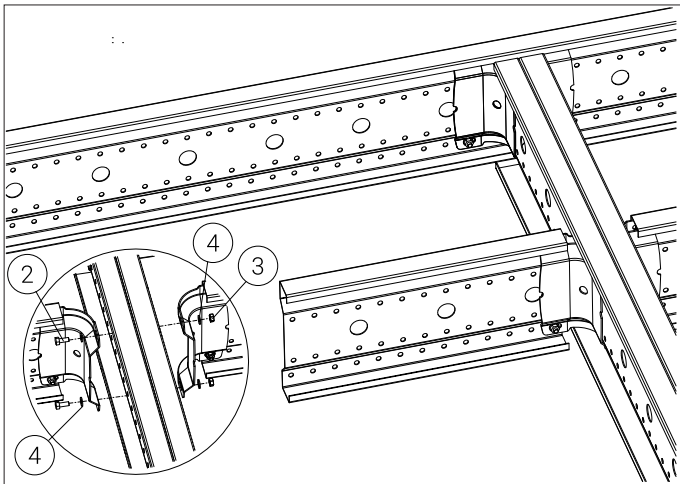
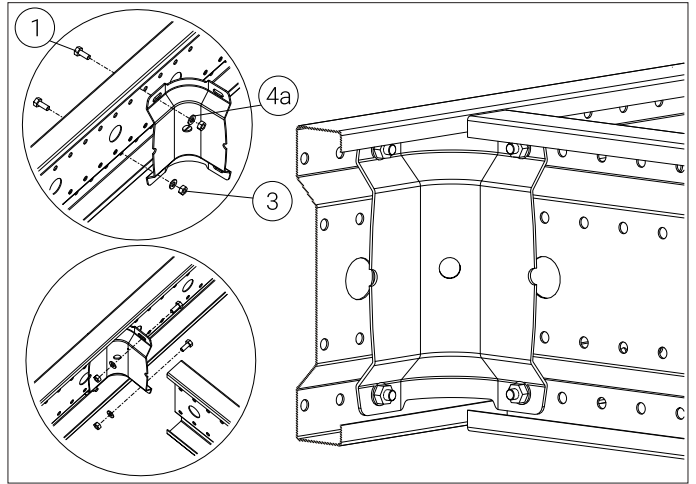
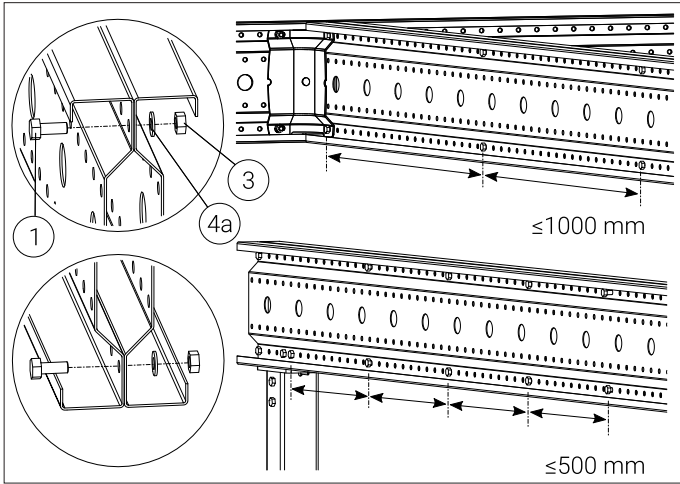


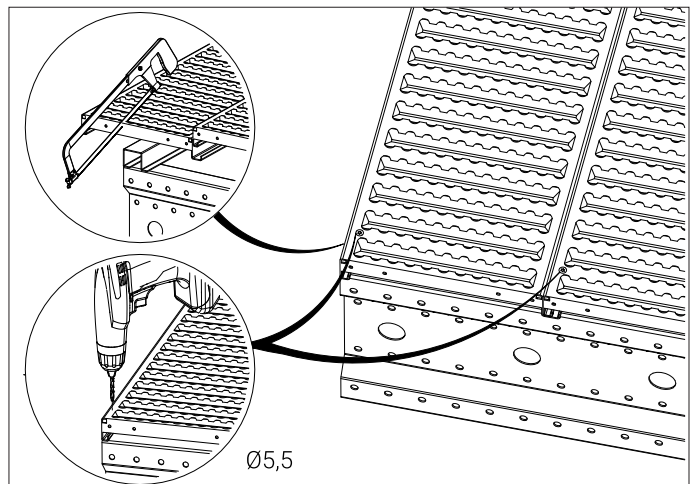
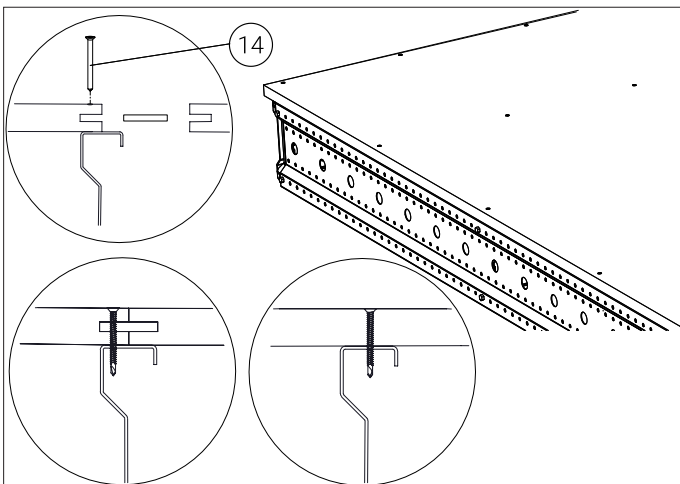
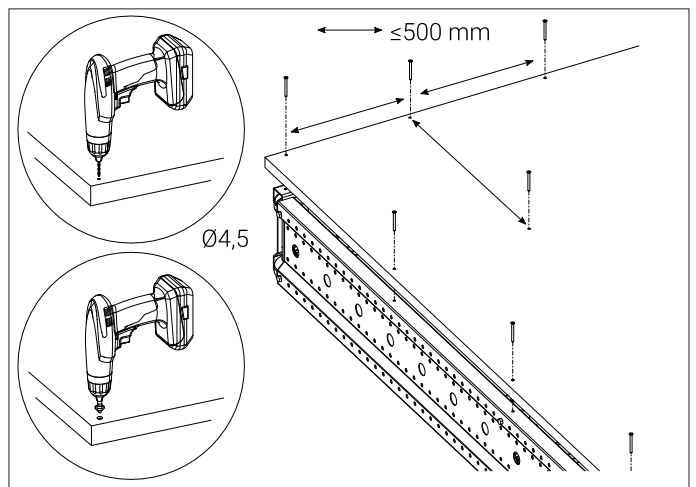
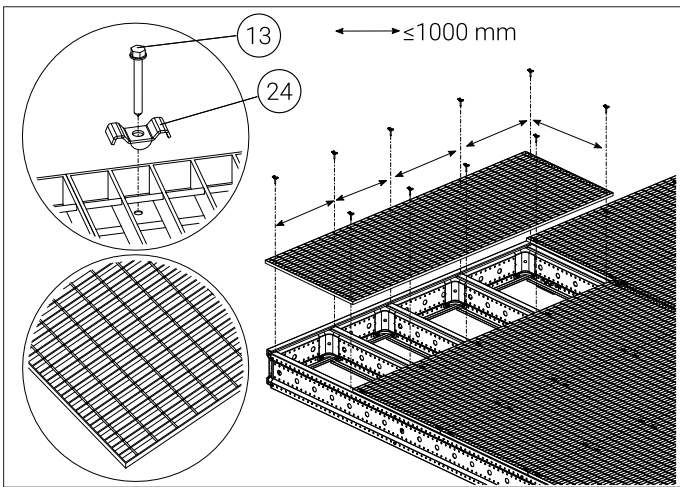
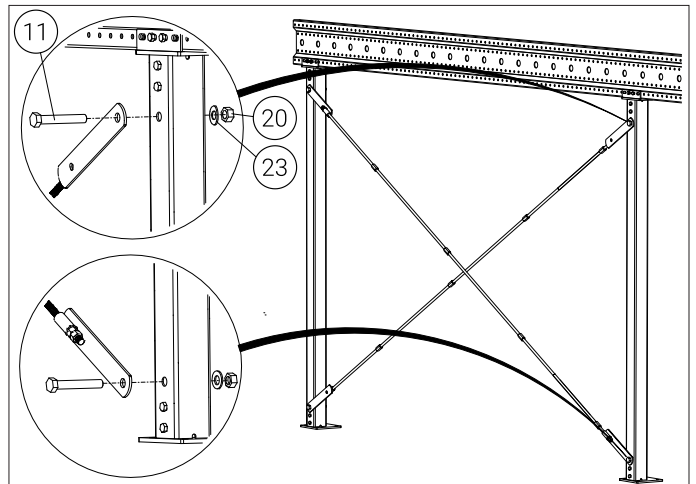
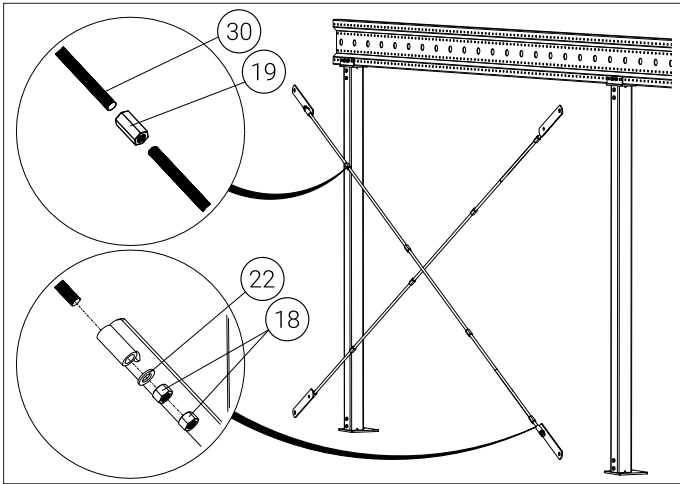
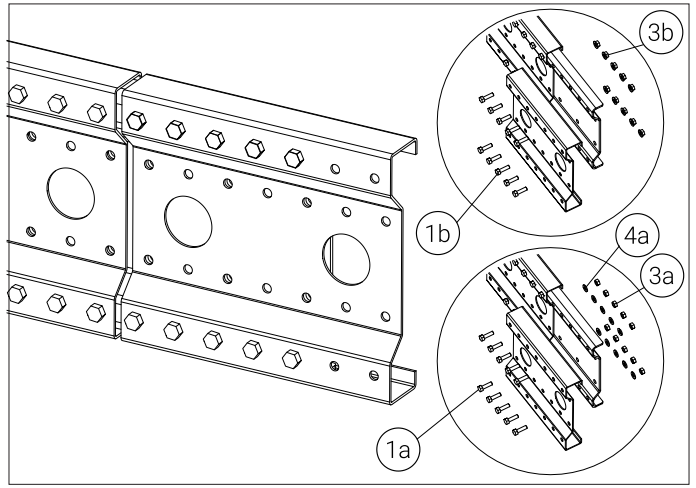
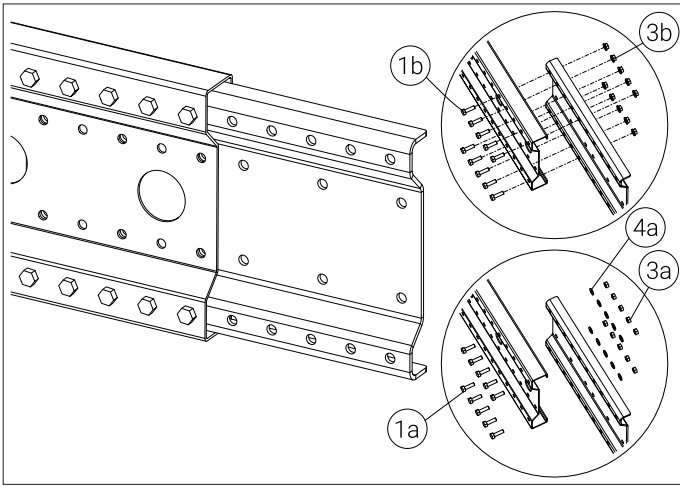
25 mm

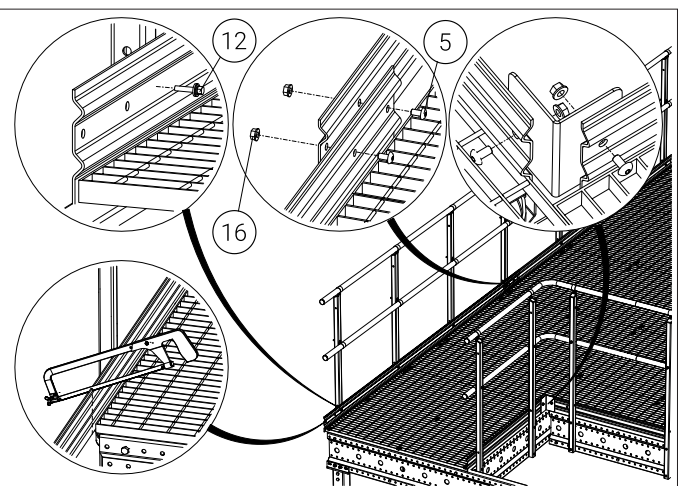
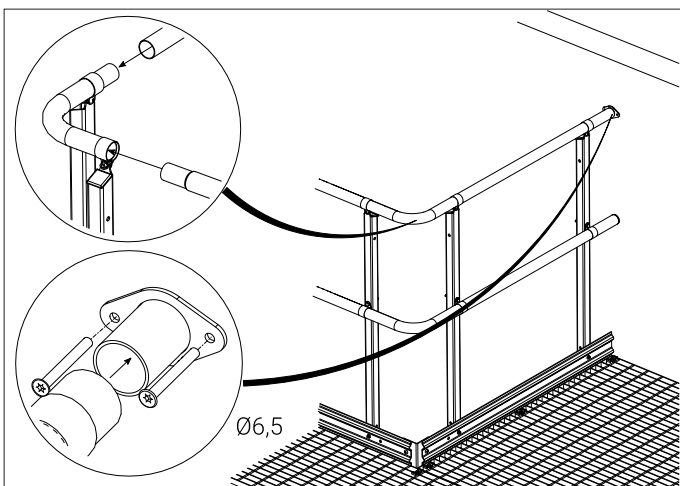
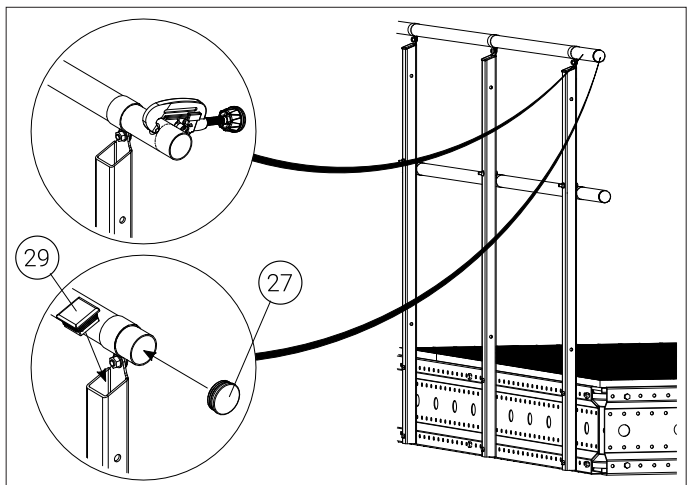
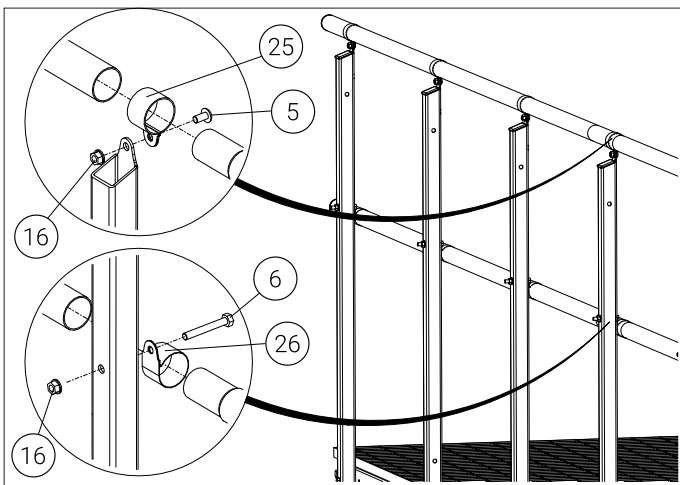
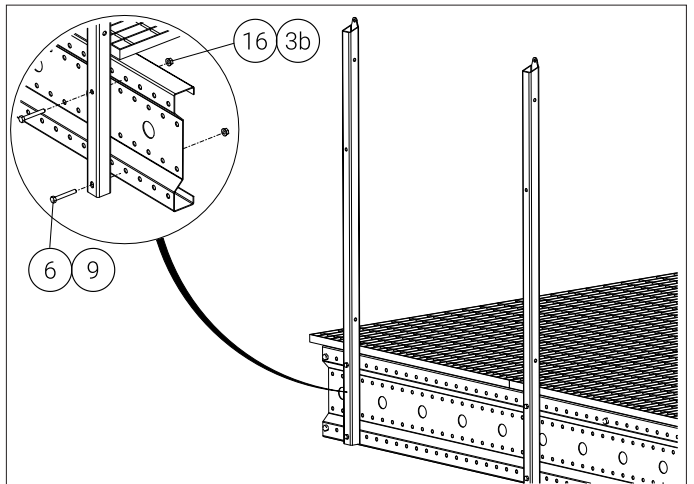
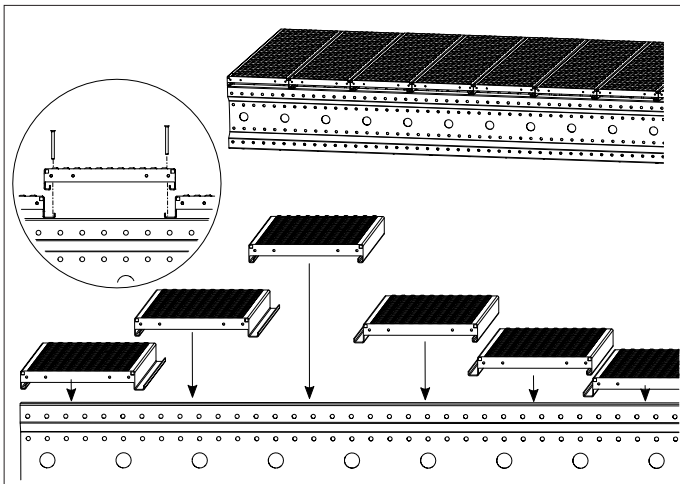
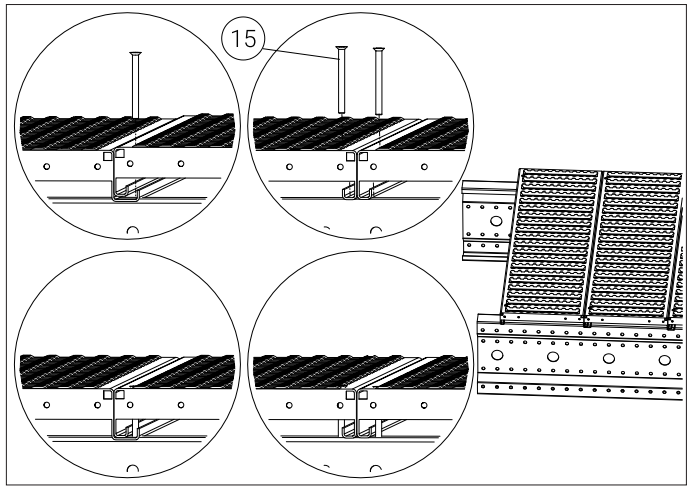
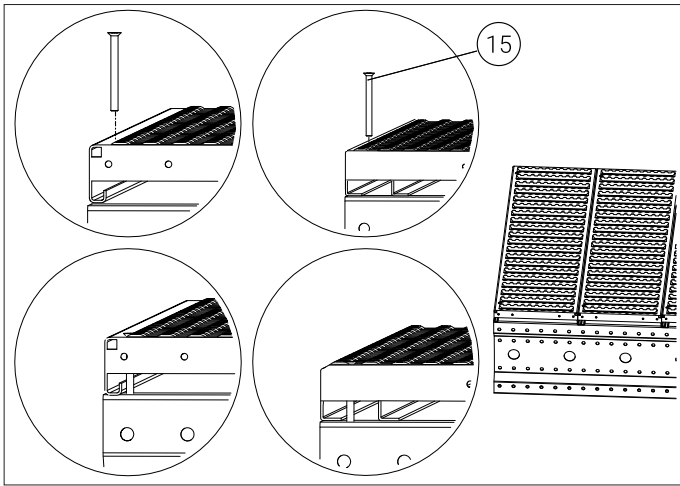


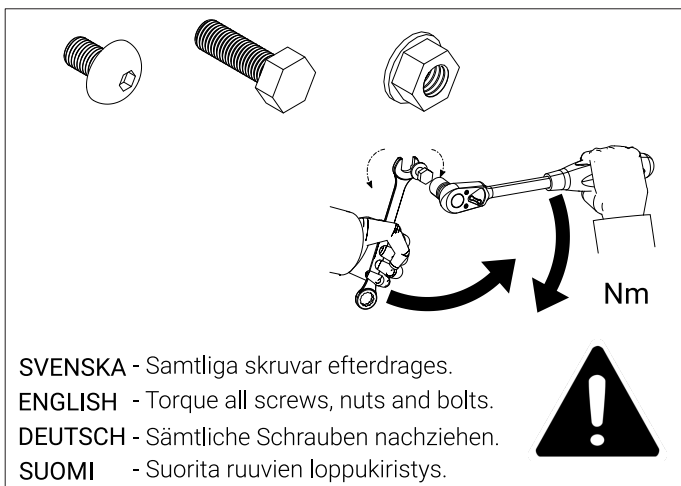
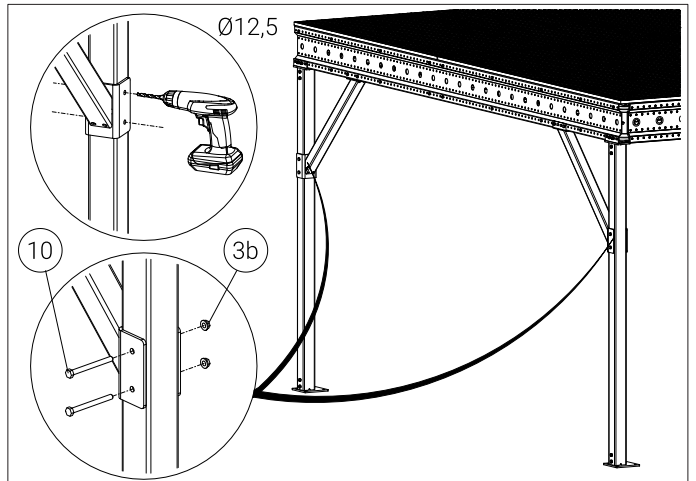
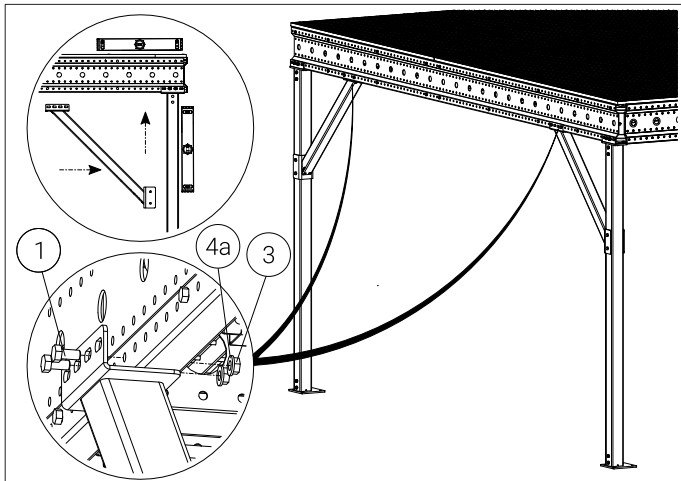
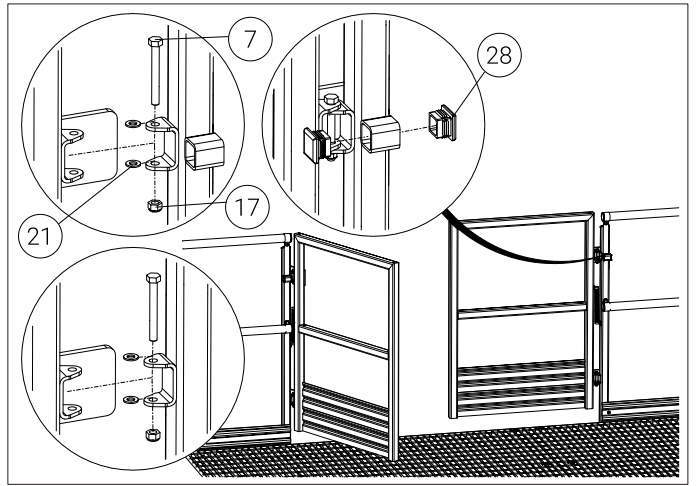
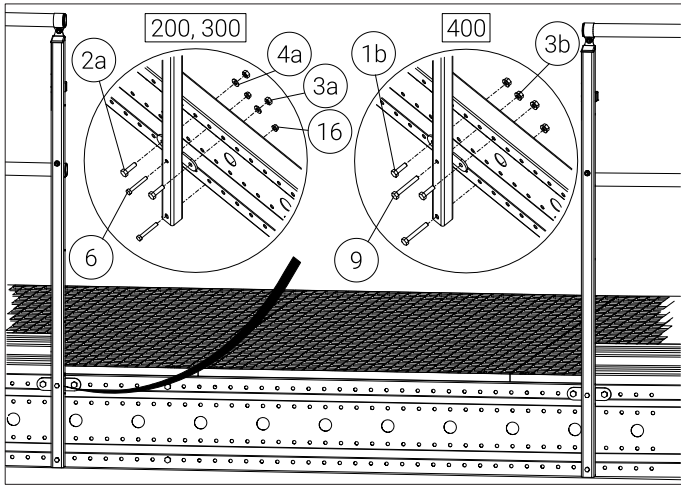
Ø18 x 2











**Weland AB**  
Malmgatan 34  
333 30 Smålandsstenar  
Sverige

Tel. +46(0)371-344 00  
E-post: [info@weland.se](mailto:info@weland.se)  
[weland.se](http://weland.se)

---

**Weland AS**  
Svennerudveien 34  
2016 Frogner  
Norge

Tel. 46 93 91 00  
E-mail: [weland@weland.no](mailto:weland@weland.no)  
[weland.no](http://weland.no)

---

**Weland & Sønner A/S**  
Rugvænget 32  
2630 Taastrup  
Danmark

Tel. 43 99 75 55  
E-mail: [weland@weland.dk](mailto:weland@weland.dk)  
[weland.dk](http://weland.dk)

---

**Weland GmbH**  
Spenglerstr. 89-91  
23556 Lübeck  
Deutschland

Tel. 0451-899 41-0  
Fax. 0451-899 41-50  
E-mail: [info@weland.de](mailto:info@weland.de)  
[weland.de](http://weland.de)

---

**Weland Oy**  
Peltotie 31  
28400 Ulvila  
Suomi

Puh. 02-6343 900  
S-posti: [info@weland.fi](mailto:info@weland.fi)  
[weland.fi](http://weland.fi)

**WELAND**